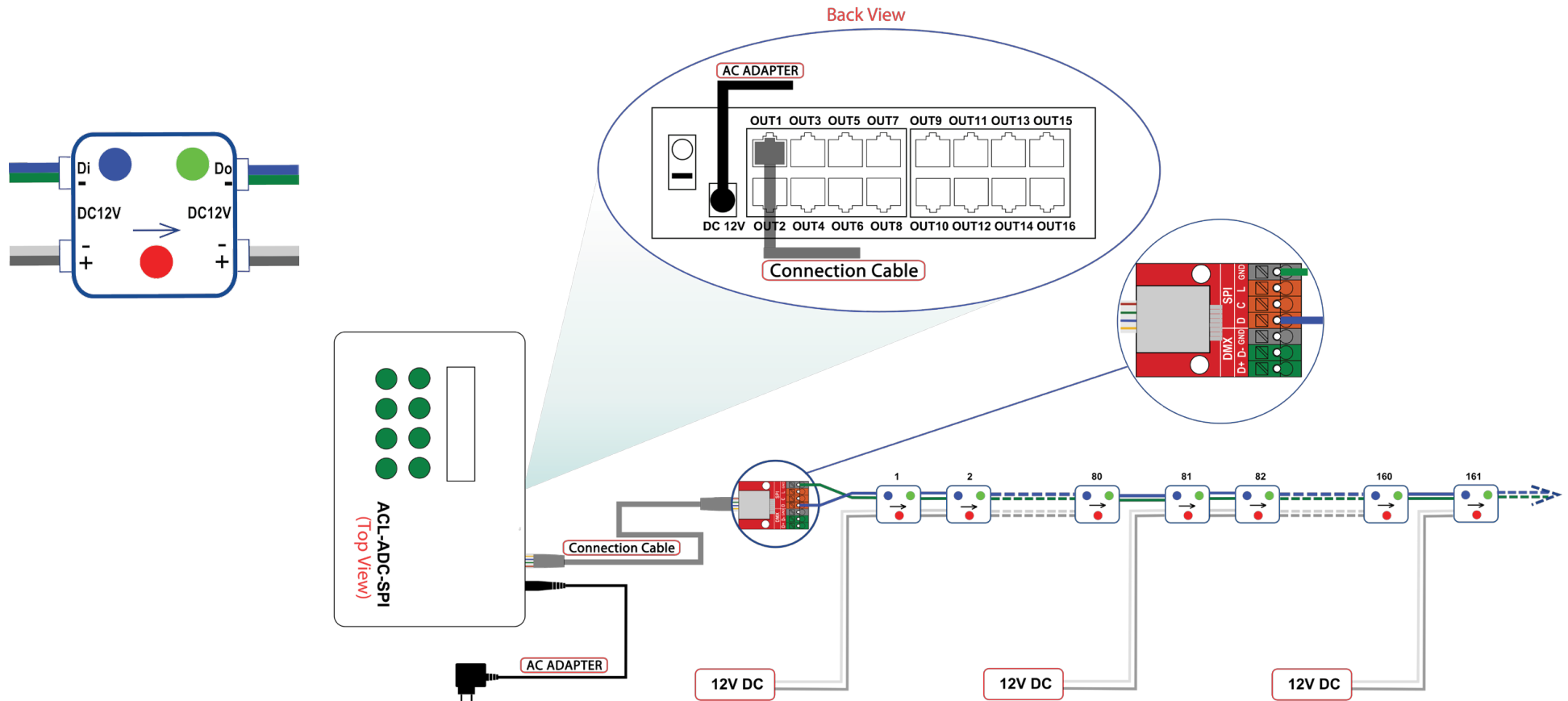




# ColorMix

RGB Lighting Systems

## Wiring Diagram: ACL-ADC-SPI & ACLW-RGB AD



Each Allanson 60W Power Supply (CV125 series) can run maximum 80 modules.  
Maximum 16 Channels per controller. Maximum 1634 modules per channel.  
Maximum distance between controller and first module and in between subsequent modules is 25M.

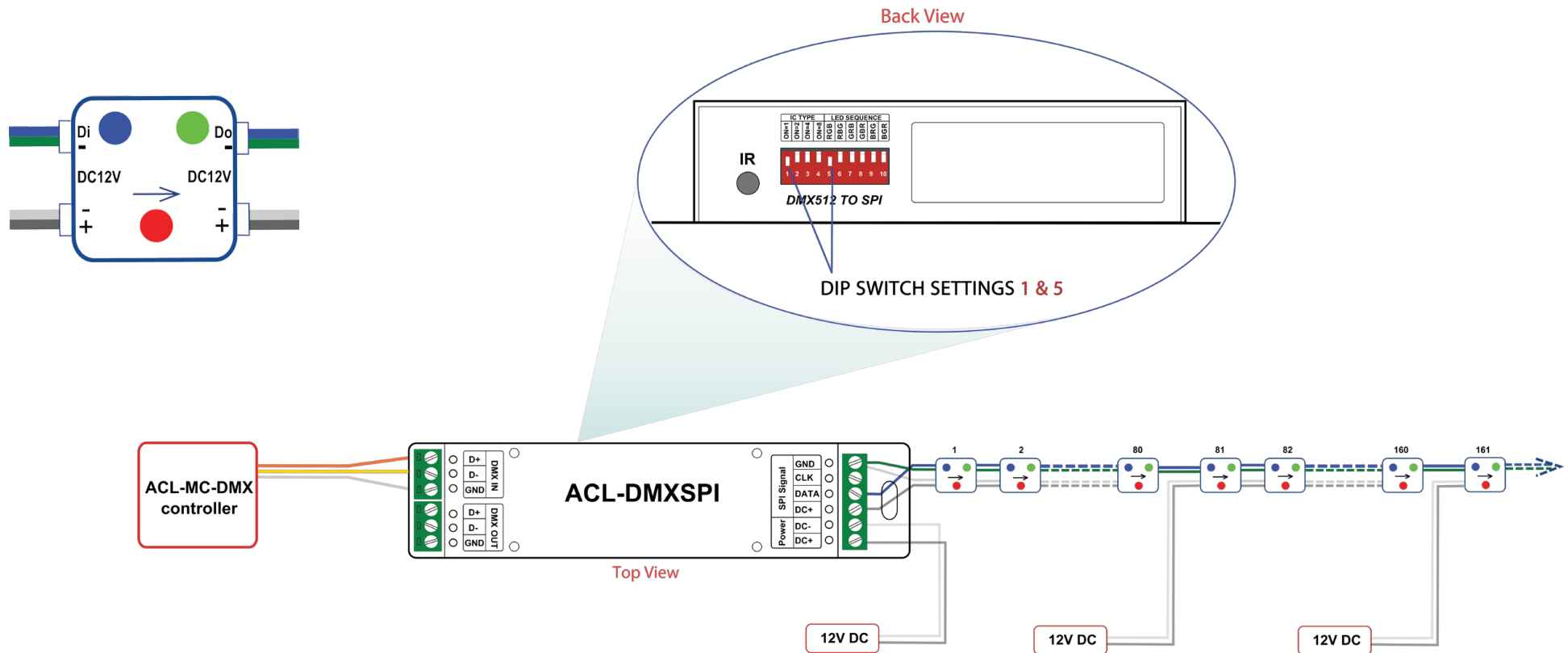




# ColorMix

RGB Lighting Systems

## Wiring Diagram: ACL-MC-DMX with ACL-DMXSPI & ACLW-RGB AD



Each Allanson 60W Power Supply (CV125 series) can run maximum 80 modules.  
Maximum 170 modules per ACL-MC-DMX Controller.

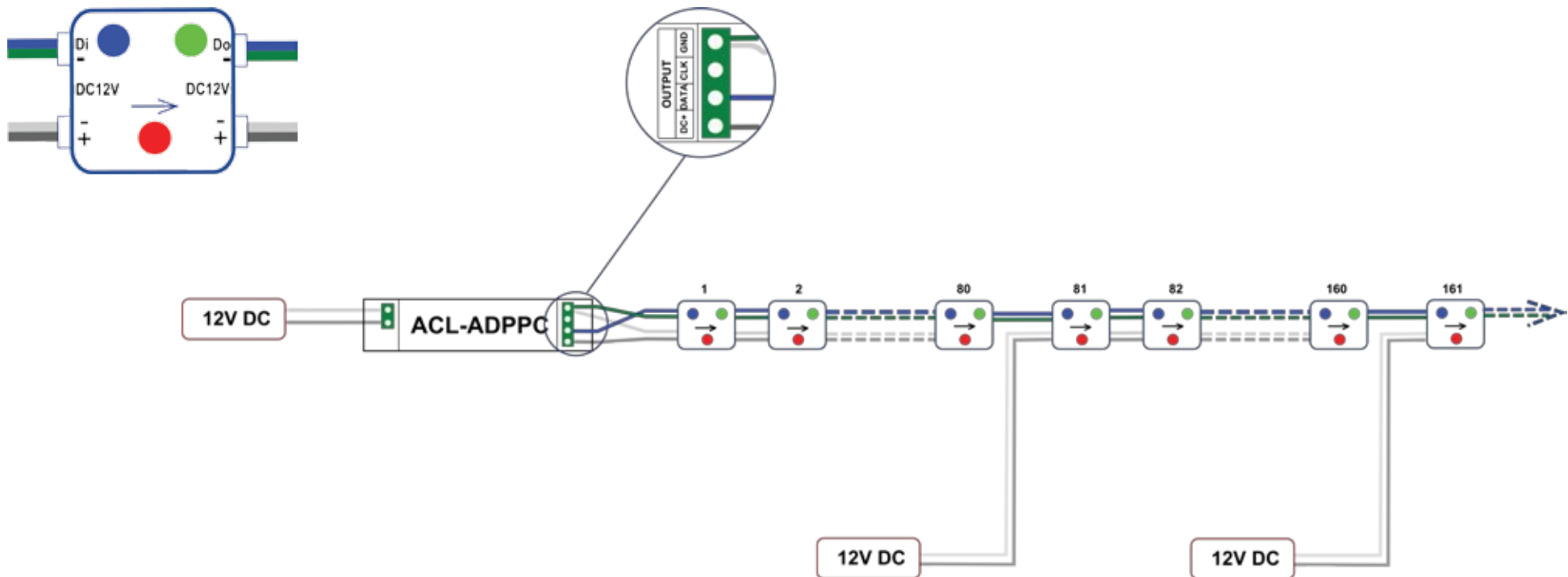




# ColorMix

RGB Lighting Systems

## Wiring Diagram: ACL-ADPPC & ACLW-RGB AD



Each Allanson 60W Power Supply (CV125 series) can run maximum 80 modules.  
Each ACL-ADPPC can run 8-360 modules.

