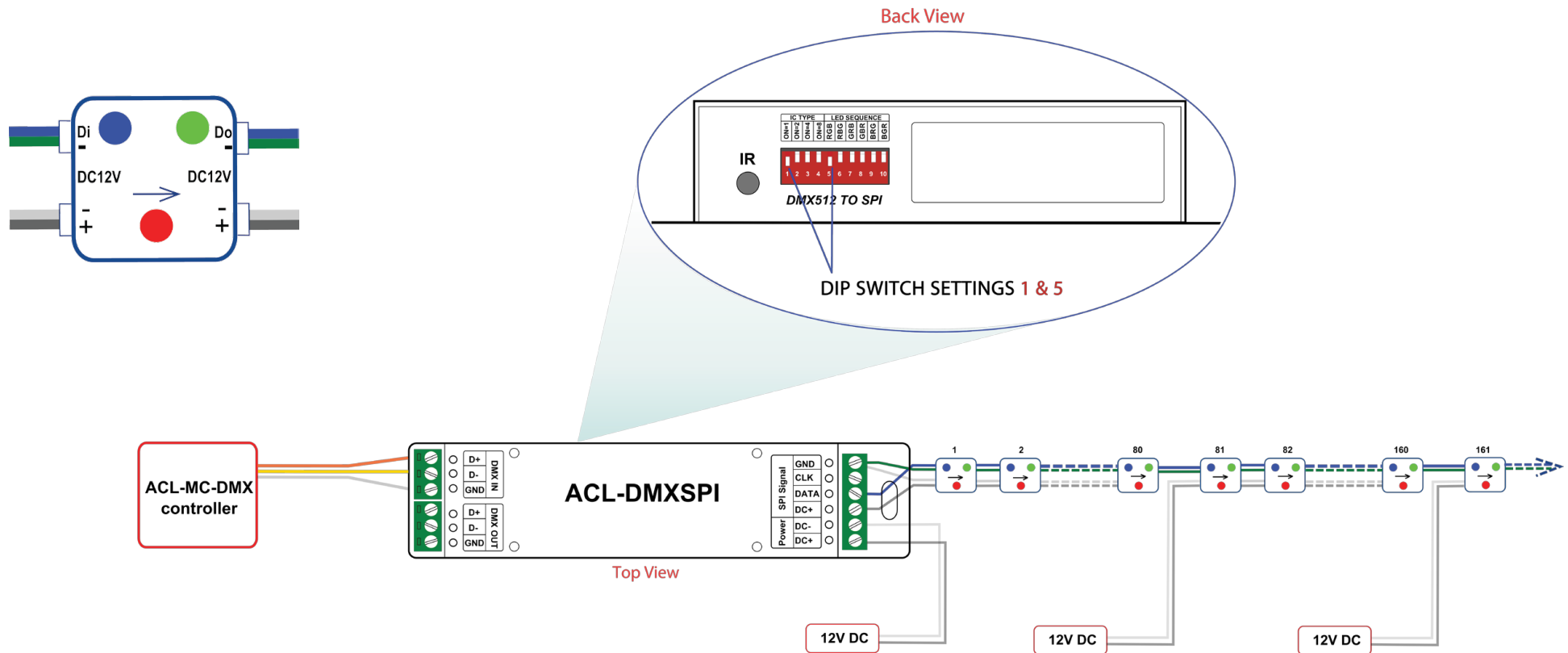




ColorMix

RGB Lighting Systems

Wiring Diagram: ACL-MC-DMX with ACL-DMXSPI & ACLW-RGB AD



Each Allanson 60W Power Supply (CV125 series) can run maximum 80 modules.
Maximum 170 modules per ACL-MC-DMX Controller.

