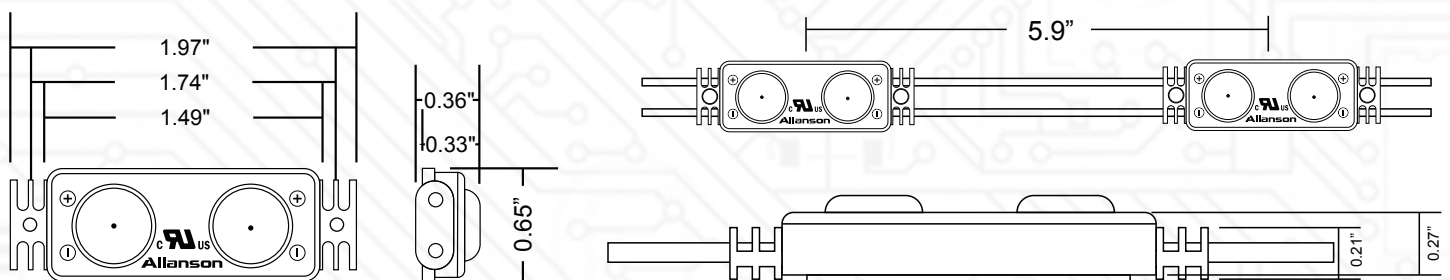


LEDgen 0.5W & 1W

Specifications Chart

	Part Number	
	S05W2CW	S1W2CW
Color Temperature	6500K	6500K
LED/MOD	2	2
MOD/FT	2	2
Lumens/Mod	50	100
Lumens/Ft	100	200
Lumens/watt	100	91
Beam Angle	150°	150°
Power Consumption (watt)	0.5	1.1
Input Voltage	DC 12V	DC 12V
Operating Temperature	-30° C to +60° C	-30° C to +60° C
IP level	67	67
Packaging		
Tray	100	50
Master Carton	1200	600
Warranty	5 years	5 years



For all your population services contact us at led@allanson.com



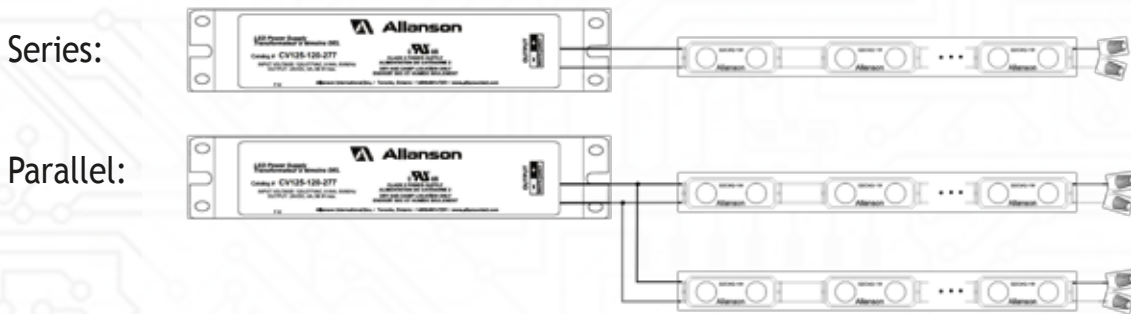
LEDgen 0.5W & 1W Power Supply Loading Information

Part Number	Wattage	Number of Modules		Number of Feet	
		S05W2CW	S1W2CW	S05W2CW	S1W2CW
CV122-120-277	24	43	20	21.5	10
CV125-120	60	108	50	54	25
CV125-120-277	60	108	50	54	25
CV12125-MV	2X60	216	100	108	50
CVW125-MV	60	108	50	54	25

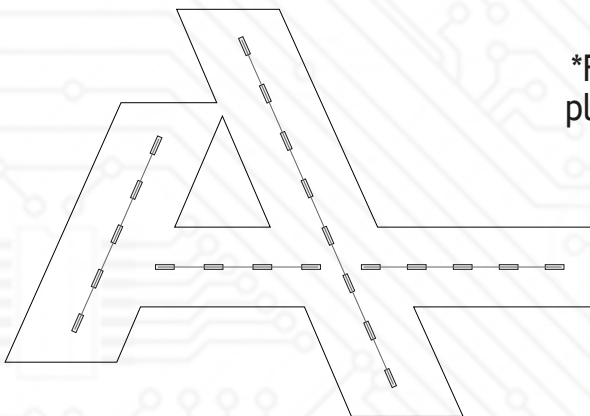
Distance to Power Supply	Stranded Copper Wire Gauge	Expected Voltage Drop
13 feet	16 AWG	5%
20 feet	14 AWG	5%
30 feet	12 AWG	5%

*Wire size recommendation from LED Module to Power supply.

Modules can be connected in series or parallel:



Modules Population Recommendation*



*For all your population services and estimations, please send .ai or .eps files to led@allanson.com.