



# Allanson

## StormTight II

Now Brighter, Whiter And More Efficient

### White Channel Letter Series



ACLW-CW5

ACLW-CW3

ACLW-CW2

### Product Details

- High density fire resistant plastic housing for outdoor protection
- Sealed construction for reliable, moisture proof, all weather operation and durability
- High output, low profile LEDs for improved illumination
- White plastic body for better reflectivity
- Metal back housing provides cooler, longer life operation
- Single mounting hole for easy installation (ACLW-CW2 and CW3)
- 120° beam angle for even illumination
- 6500°K for brighter and whiter sign faces



**ENERGY SAVINGS**  
LOOK FOR THIS MARK SIGNIFYING  
ENERGY SAVING PRODUCTS  
FROM ALLANSON.

**MODULES** Aug - 2012



**StormTightLED**

# StormTight II

## Specifications

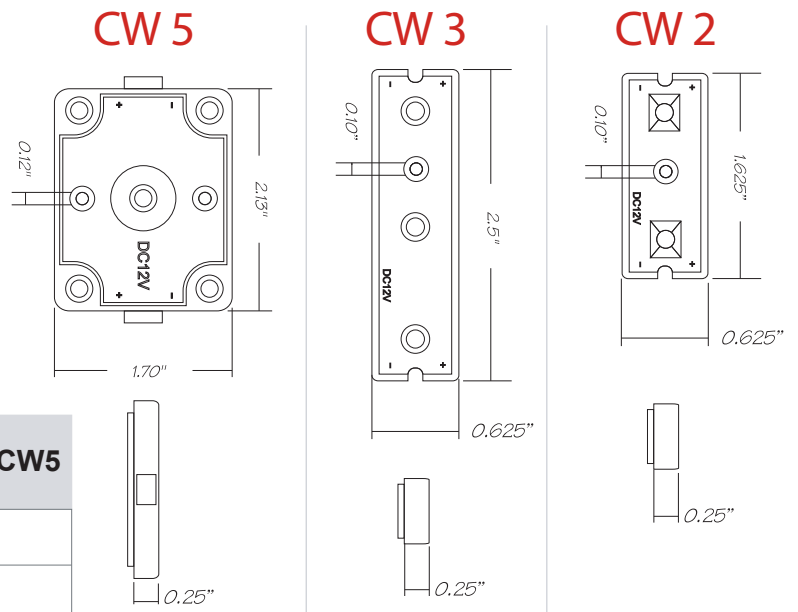
Part Number	LEDs Per Module	Lumens per Module	Watts per Module	Lumens per Watt	Modules per Foot	Lumens per Foot	Packaging
ACLW-CW2 100	2	43	0.48	90	2	86	100/box
					3	129	
ACLW-CW3 100	3	65	0.76	86	2	130	100/box
					3	195	
ACLW-CW5	5	101	1.18	86	2	202	30/box
					3	303	

120° Beam Spread

6500°K

Compatible Power Supplies	Part Number
	CV121
	CV122-120
	CV125
	CV125-120
	CV12125

Modules Per power Supply	Power Supply	ACLW-CW2	ACLW-CW3	ACLW-CW5
	CV121	22	14	9
	CV122-120	45	28	18
	CV125	112	70	46
	CV125-120	112	70	46
	CV12125	224	140	92



For all your population services contact us at [led@allanson.com](mailto:led@allanson.com)

Visit us at [www.allansonled.com](http://www.allansonled.com)

US  
**Phone** 1-800-559-3659  
**Fax** 1-615-855-0592  
**Email** [customerservice@eballast.com](mailto:customerservice@eballast.com)

CANADA  
**Phone** 1-800-661-7251  
**Fax** 1-416-752-6717  
**Email** [cservice@allanson.com](mailto:cservice@allanson.com)



**StormTightLED**