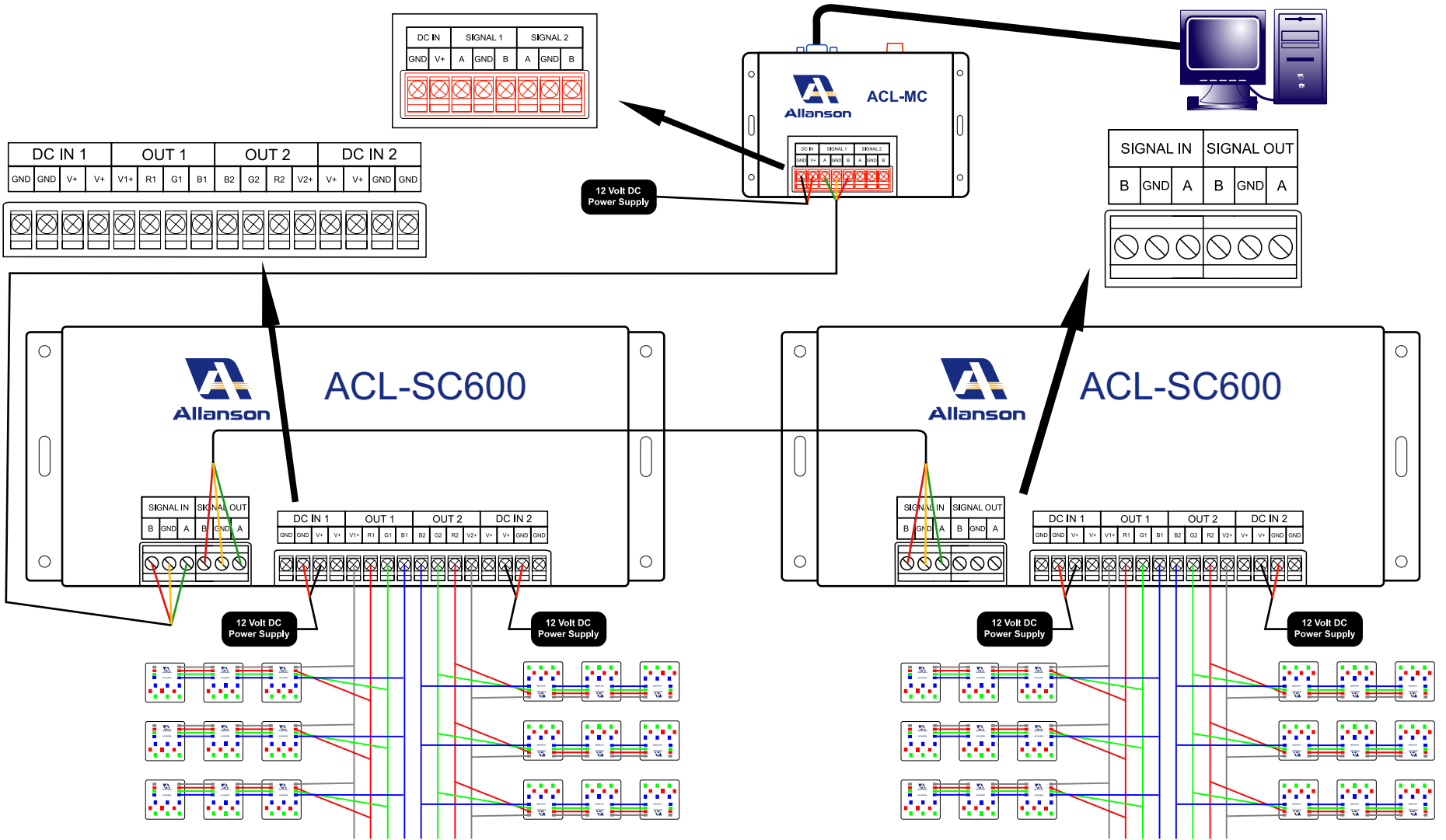


StormTight LED

Wiring Diagram: StormTight RGB LED Modules (ACL-MC & SC600)



Maximum per ACL-SC600
532 Modules
(266 per channel)
(strings of 28 or less)

Maximum per ACL-SC600
532 Modules
(266 per channel)
(strings of 28 or less)

"Allanson LED. The Future is Now."

LED@allanson.com | 1.800.668.9162
www.allansonLED.com

